

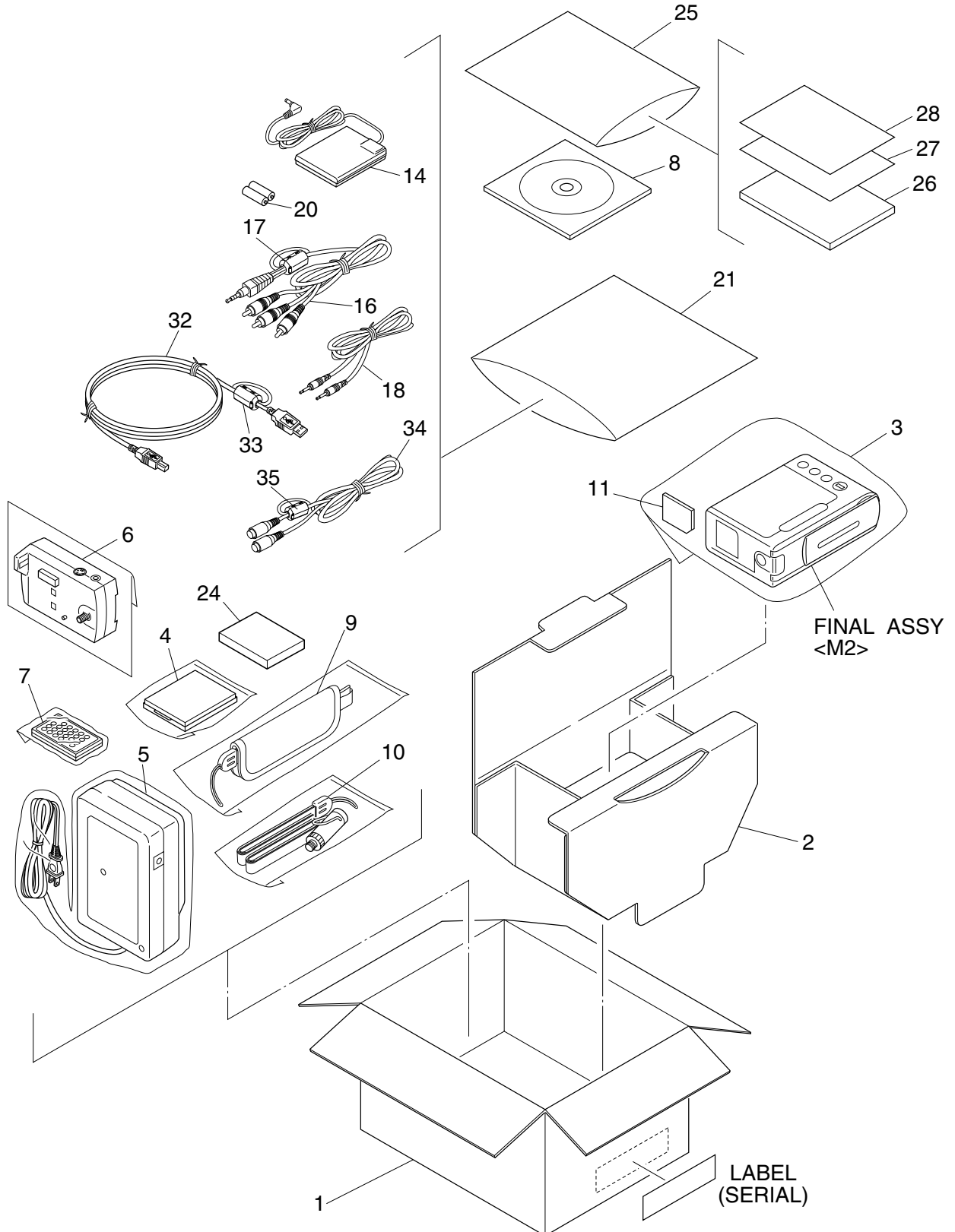
SECTION 5 PARTS LIST

SAFETY PRECAUTION

Parts identified by the  symbol are critical for safety. Replace only with specified part numbers.

5.1 PACKING AND ACCESSORY ASSEMBLY <M1>

The instruction manual to be provided with this product will differ according to the destination.



△ REF No. PART No. PART NAME, DESCRIPTION

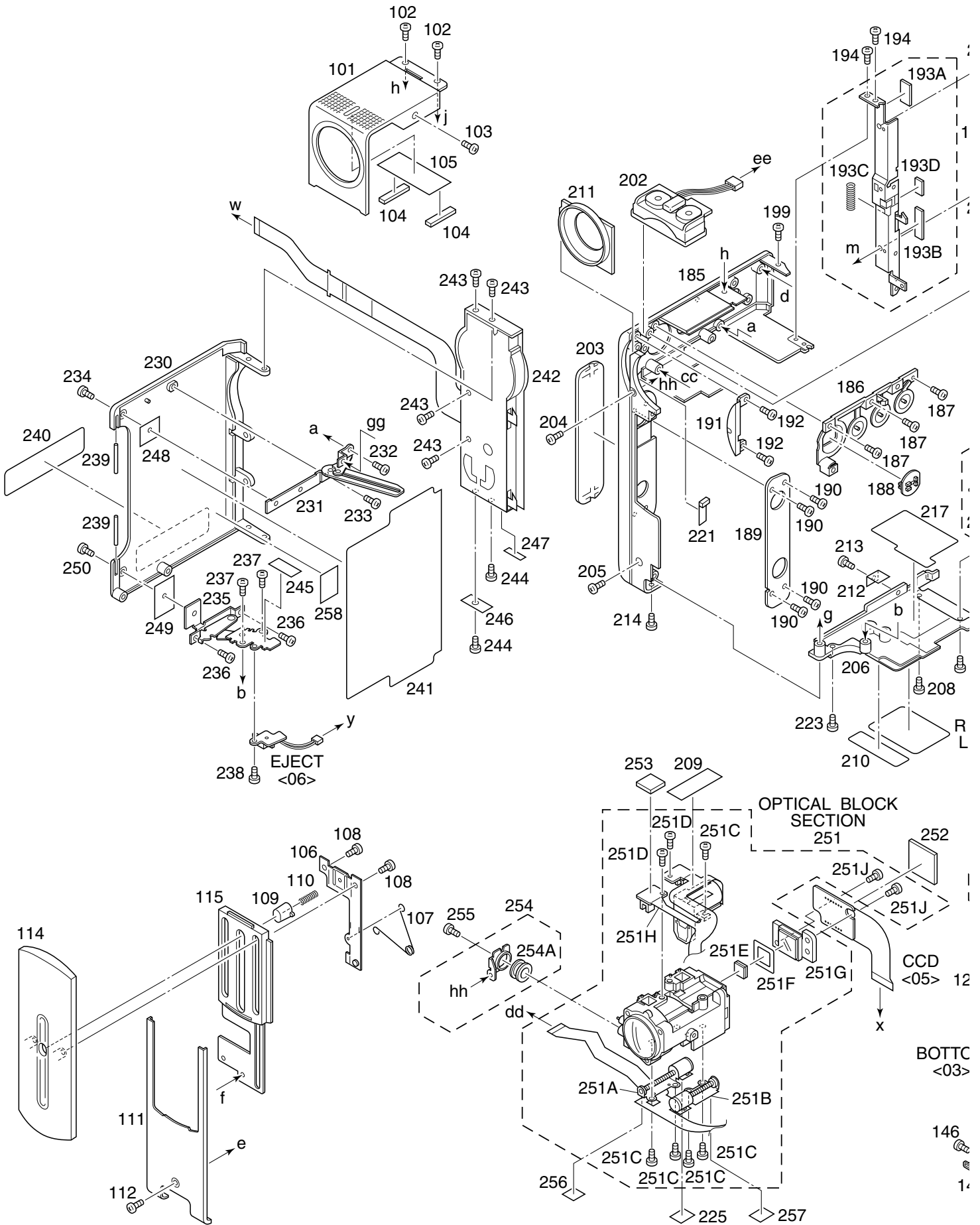
△ REF No. PART No. PART NAME, DESCRIPTION

PACKING AND ACCESSORY ASSEMBLY <M1>

1	-	PACKING CASE
2	LY20763-001A	CUSHION
3	LY30023-003A	POLY BAG
△ 4	LY32203-001A	BATTERY PACK,BN-V107U
△ 5	LY20754-012A	AC POWER ADAPTER/CHARGER,AA-V100EN
6	LY20755-001C	DOCKING STATION,CU-V507U
7	LY20750-001A	REMOTE CONTROL UNIT,RM-V717U
8	LY32210-004B	CD ROM
9	LY20762-001B	GRIP BELT
10	LY20765-001C	STRAP
11	QAM0342-002	MEMORY CARD
14	LY32226-001A	DC CORD
16	QAM0346-001	CABLE ASSY,AUDIO/VIDEO CABLE
17	QQR0918-002	CORE FILTER
18	PEAC0428-150	CABLE ASSY,EDITING CABLE
20	-	BATTERY,AAA(R03),X2
21	QPA01703005	POLY BAG
24	-	MINI DV TAPE, M-DV30MEBU
25	QPA02003006	POLY BAG
△ 26	LYT0856-001A	INST.BOOK(SP)
△ 27	LYT0836-003A	INST.BOOK(SOFT.SP)
28	LYT0378-003A	SHEET(AGREMENT)
32	QAM0322-001	USB CABLE
33	QQR0918-001	CORE FILTER
34	QAM0004-003	S CABLE
35	QQR0918-002	CORE FILTER

- INSTRUCTIONS
- SP SPANISH

5.2 FINAL ASSEMBLY <M2>



△ REF No. PART No. PART NAME, DESCRIPTION

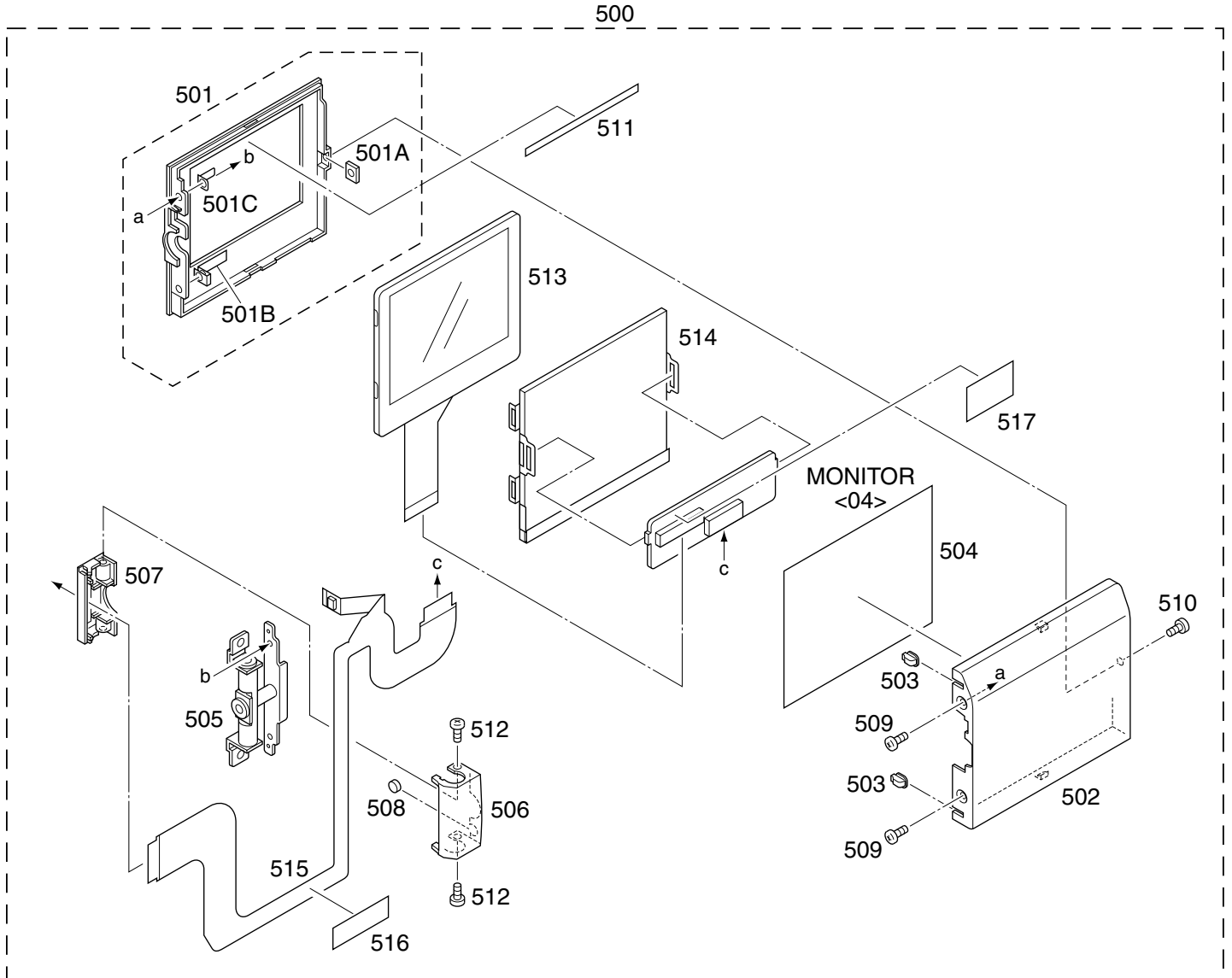
FINAL ASSEMBLY <M2>

101	LY20759-001A	COVER(MIC)
102	LY30018-0A3A	SPECIAL SCREW,X2
103	LY30018-0A2A	SPECIAL SCREW
104	LY30029-0L7A	SPACER(A),X2
105	LY43164-001A	SHEET(MIC)
106	LY43106-001B	S.PLATE(B)ASSY
107	LY43225-001A	TORSION SPRING
108	LY30018-0D2A	SPECIAL SCREW,X2
109	LY32260-001D	KNOB(SHUTTER)
110	LY30002-022A	COMPRESSION SPRING
111	LY32228-001B	COVER(UNDER)
112	LY30018-0A2A	SPECIAL SCREW
114	LY43102-001F	COVER(SHUT)ASSY
115	LY43104-001E	GUIDE(SHUT)ASSY
120	LY32246-001A	COVER(SHOE)
121	LY30018-0A2A	SPECIAL SCREW,X2
122	LY30018-055A	SPECIAL SCREW
123	LY30029-0N5A	SPACER(A)
124	LY43196-001A	SHEET(UPEER)
125	LY32292-001F	UPPER CASE ASSY
125A	LY43210-002A	LABEL(UPPER)
126	LY32265-001C	GUIDE(MONI)
127	LY43126-001D	J.COVER(DV)ASSY
130	LY43064-001B	KNOB(LOCK) ASSY
130A	LY43081-001A	SHAFT(LOCK)
130B	LY43080-001A	TOR.SPRING(LOCK)
130C	LY43079-001A	BRACKET(LOCK)
131	LY32198-001B	SUB OPE
132	LY30018-081A	SPECIAL SCREW
133	LY30018-063A	SPECIAL SCREW
134	LY30018-092A	SPECIAL SCREW,X2
135	LY43134-001C	COVER(JIG)ASSY
135A	LY42350-002A	FOOT
136	LY30018-055A	SPECIAL SCREW
137	LY30018-031A	SPECIAL SCREW,X2
138	LY30018-099A	SPECIAL SCREW,X2
139	LY32253-001B	BASE
140	LY43107-001A	SHAFT
141	LY43224-001A	SPACER(BASE)ASSY
141A	LY43221-001A	S.SHEET(S.BASE)
142	LY43287-001A	SHEET(CAUTION)
144	LY42350-002A	FOOT,X4
145	LY32254-001A	BRACKET(BOTTOM)
146	LY30018-0E4A	SPECIAL SCREW,X2
147	LY30029-0K6A	SPACER(A)
148	LY43176-001A	SHEET(UPPER)1
149	LY43177-001A	SHEET(UPPER)2
150	LY30018-055A	SPECIAL SCREW,X2
151	LY30018-055A	SPECIAL SCREW
152	LY30018-065A	SPECIAL SCREW
153	LY30018-055A	SPECIAL SCREW
154	LY30018-019A	SPECIAL SCREW
155	LY30018-0D5A	SPECIAL SCREW,X2
156	LY43127-003A	STICKER(MONI.)
157	LY30029-0N3A	SPECER(A)
165	LY43074-001C	BRACKET(MECHA)ASSY
165A	LY42796-001A	BUSH,X3
166	LY30019-028A	SPECIAL SCREW,X3
168	LY43190-001A	SHIELD ASSY
168A	LY42189-001A	SPACER
169	LY30018-005A	SPECIAL SCREW,X2
170	LY43083-001A	BRACKET(PRE-REC)
171	QYSPSPT1414M	SCREW
172	LY43159-001B	SHEET(SHUTTER)
173	LY32001-002A	LABEL(HOUSING)
174	LY40699-002A	LABEL(PUSH)
185	LY20756-001C	LOWER CASE
186	LY32239-001D	BUTTON(FUNC.)
187	LY30018-065A	SPECIAL SCREW,X3
188	LY43056-001B	KNOB(FUNC.)
189	LY43114-001A	PLATE(C.C.HINGE)
190	LY30018-081A	SPECIAL SCREW,X4
191	LY43125-001A	WINDOW(W/B)ASSY
192	LY30018-065A	SPECIAL SCREW,X2
193	LY32280-001D	BATTERY LOCK ASSY
193A	LY30029-0K9A	SPACER(A)
193B	LY30029-0N1A	SPACER(A)

△ REF No. PART No. PART NAME, DESCRIPTION

193C	LY30002-038A	COMPRESSION SPRING
193D	LY30029-0M9A	SPACER(A)
194	LY30018-031A	SPECIAL SCREW,X2
195	LY31998-002A	HOT SHOE
196	QAL0336-001	FPC,AUDIO CN202-HOT SHOE
197	LY32262-001B	BRACKET(H.S)
198	LY30018-081A	SPECIAL SCREW,X4
199	LY30018-081A	SPECIAL SCREW,X3
200	LY30018-055A	SPECIAL SCREW,X4
201	LY30018-065A	SPECIAL SCREW
202	LY32197-001C	MICROPHONE
203	LY32247-001A	COVER(M.ADJ)
204	LY30018-065A	SPECIAL SCREW
205	LY30018-055A	SPECIAL SCREW
206	LY20760-001G	BOTTOM COVER
207	LY32279-001C	COVER(SD)ASSY
207A	LY32242-001B	BRACKET(SD)
207B	LY43111-001A	SHAFT(SD.COVER)
207C	LY43047-001B	TORSION SPRING
208	LY30018-081A	SPECIAL SCREW,X2
209	LY30029-0R8A	SPACER(A),X2
△ 210	LY43148-002A	CAUTION LABEL
211	LY32255-001C	HOOD
212	LY43169-001C	HOLDER(SD CON)
213	LY30018-0E1A	SPECIAL SCREW
214	LY30018-065A	SPECIAL SCREW
215	LY30018-0E3A	SPECIAL SCREW
216	QYSPSPT1730D	SCREW
217	LY43084-001A	SHEET(B.COVER)
218	LY30018-065A	SPECIAL SCREW
220	LY30029-0R9A	SPACER(A)
221	LY43420-001A	SPACER(BLACKOUT)
222	LY30018-081A	SPECIAL SCREW,X2
223	LY30018-0A3A	SPECIAL SCREW
225	LY30029-0S1A	SPACER(A)
230	LY20757-001B	CASSETTE COVER
231	LY32244-001C	ARM ASSY(1)
232	LY30018-031A	SPECIAL SCREW
233	LY30018-081A	SPECIAL SCREW
234	LY30018-0E3A	SPECIAL SCREW
235	LY32245-001E	ARM ASSY(2)
236	LY30018-081A	SPECIAL SCREW,X2
237	LY30018-081A	SPECIAL SCREW,X2
238	LY30018-081A	SPECIAL SCREW
239	LY43113-001A	SHAFT(C.COVER),X2
△ 240	LY43382-001A	SAFETY LABEL
241	LY43055-001C	SHEET(C.COVER)
242	LY20749-001E	OPE.COVER UNIT
243	LY30018-065A	SPECIAL SCREW,X4
244	LY30018-081A	SPECIAL SCREW,X2
245	LY30029-0L5C	SPACER(A)
246	LY43198-001B	SHEET(OPE-SD)
247	LY30029-0N8A	SPACER(A)
248	LY43200-001A	SHEET(ARM1)
249	LY43201-001A	SHEET(ARM2)
250	LY30018-0E3A	SPECIAL SCREW
252	LY43160-001A	SHEET(CCD PWB)
253	LY43355-001A	SPACER(OP)
254	LY43075-001C	OP BRACKET ASSY
254A	LY41675-001A	RUBBER
255	LY30018-0D7A	SPECIAL SCREW
256	LY30029-0L4A	SPACER(A)
257	LY43381-001A	SPACER(OP2)
258	LY43398-001A	SPACER
261	LY32250-001C	KNOB(BATT.LOCK)
262	LY43168-001A	STOPPER PLATE
- OPTICAL BLOCK SECTION -		
251	J0D-101B	OPTICAL BLOCK ASSY
251A	LY32158-001A	ZOOM MOTOR
251B	LY32157-001A	FOCUS MOTOR
251C	LY30727-006B	SCREW,X5
251D	LY30727-001A	SCREW,X2
251E	LY42983-001A	OPTICAL LPF
251F	LY42948-001B	SHEET
251G	LYH40167-001A	CCD BASE ASSY
251H	LY32162-001A	IRIS UNIT
251J	QYSPSGU1740Z	SCREW,X2

5.3 MONITOR ASSEMBLY <M5>



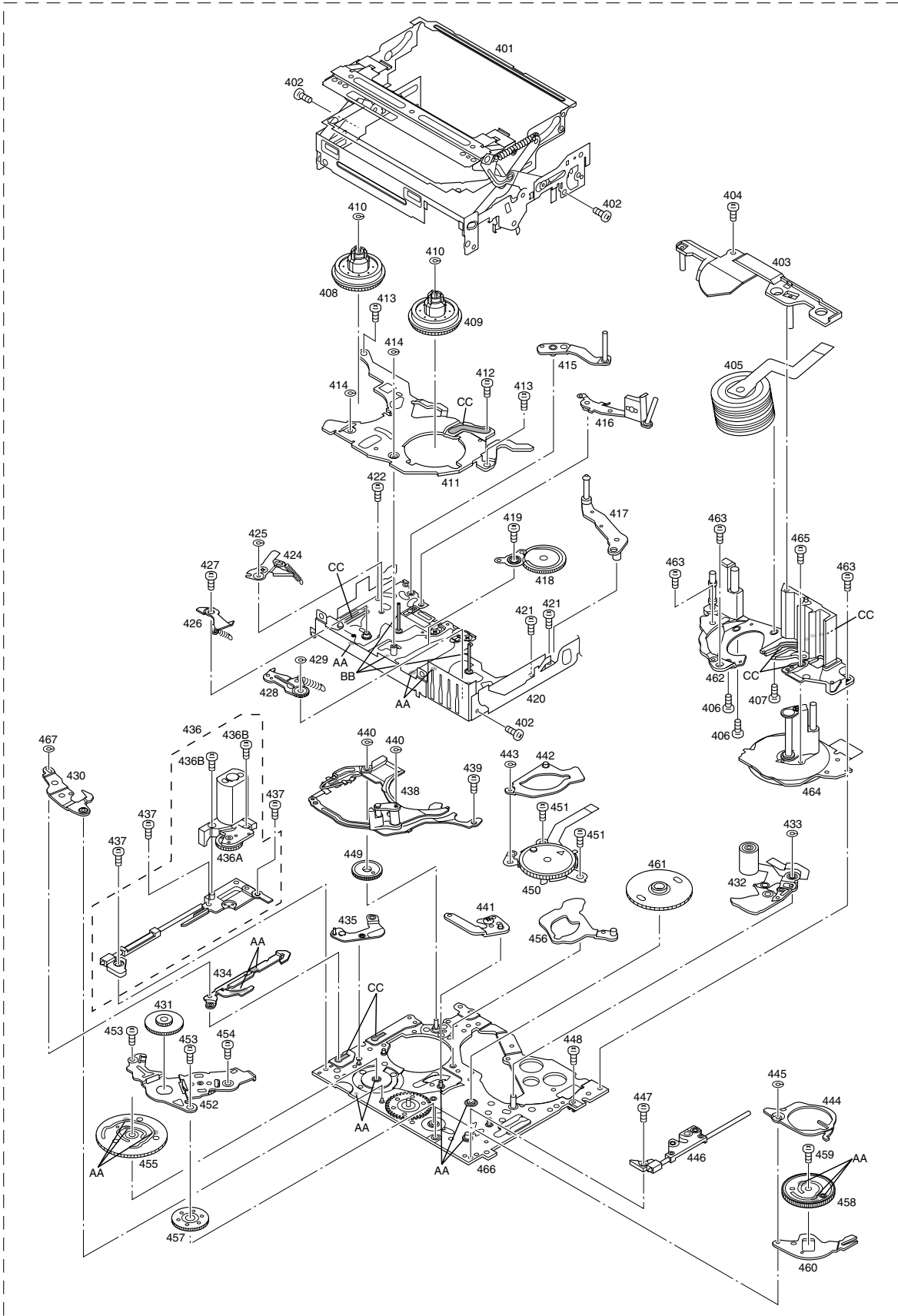
#	△	REF No.	PART No.	PART NAME, DESCRIPTION

MONITOR ASSEMBLY <M5>				
△		500	LYH20289-001C	MONITOR ASSY
		501	LY32263-001E	MONITOR CASE ASSY
		501A	LY40162-001A	BRACKET
		501B	LY43202-001A	EARTH(MONI.2)
		501C	LY43077-001B	EARTH(MONI.)
△		502	LY10297-001C	MONITOR COVER
		503	LY43078-001B	RIB(MONI.),X2
		504	LY43085-001A	SHEET(M.COVER)
		505	LY32230-001B	HINGE ASSY

#	△	REF No.	PART No.	PART NAME, DESCRIPTION
		506	LY32267-001A	HINGE COVER(U)
		507	LY32268-001A	HINGE COVER(L)
		508	LY42355-001A	MAGNET
		509	LY30018-0D3A	SPECIAL SCREW,X2
		510	LY30018-081A	SPECIAL SCREW
		511	LY30029-0M8A	SPACER(A)
		512	LY30018-087A	SPECIAL SCREW,X2
		513	QLD0131-001	LCD MODULE
		514	QLL0097-001	BACK LIGHT
		515	LY32282-001C	FPC ASSY(MONI)
		516	LY43214-001A	SHEET(MONI.FPC)
		517	LY30029-0N7A	SPACER(A)

5.4 MECHANISM ASSEMBLY <M3>

400



Classification	Part No.	Symbol in drawing
Grease	KYODO-SH-P	AA
Oil	YTU94027	BB
Grease (HANARL)	RX-410R	CC

NOTE:The section marked in **AA** and **BB**, **CC** indicate lubrication and greasing areas.

△ REF No. PART No. PART NAME, DESCRIPTION

MECHANISM ASSEMBLY <M3>

400	YMA0029B	MECHA(A)ASSY
401	LY31543-002C	CASSETTE HOUSING ASSY
402	YQ43893-8	MINI SCREW,X3
403	LY31542-001F	UPPER BASE ASSY
404	YQ43893	MINI SCREW
405	YDV2096B	DRUM ASSY
406	LY42820-001A	DAMPER SCREW ASSY,X2
407	LY42820-002A	DAMPER SCREW ASSY
408	LY31538-001B	REEL DISK ASSY
409	LY31538-002B	REEL DISK ASSY
410	YQ44246	SLIT WASHER,X2
411	LY10217-001A	REEL COVER ASSY
412	LY42120-001A	MINI SCREW
413	LY41945-003A	MINI SCREW,X2
414	YQ44246	SLIT WASHER,X2
415	LY42025-001C	TENSSION ARM ASSY
416	LY31535-001C	SLANT POLE ARM ASSY
417	LY42031-001C	TU ARM ASSY
418	LY31531-001B	SWING ARM ASSY
419	YQ43893	MINI SCREW
420	LY20530-002B	SLIDE DECK FINAL ASSY
421	YQ43893	MINI SCREW,X2
422	LY43023-001A	MINI SCREW
424	LY31533-001D	PAD ARM ASSY
425	YQ44246	SLIT WASHER
426	LY42014-001A	SUP BRAKE ASSY
427	LY43023-001A	MINI SCREW
428	LY42016-001A	TU BRAKE ASSY
429	YQ44246	SLIT WASHER
430	LY41959-001A	TENSION CONTROL LEVER ASSY
431	LY31525-001A	CENTER GEAR
432	LY31516-001B	PINCH ROLLER ARM FINAL ASSY
433	YQ44246	SLIT WASHER
434	LY41956-001C	TENSION CONTROL PLATE ASSY
435	LY41962-001B	BRAKE CONTROL LEVER ASSY
436	LY20525-002A	MONITOR BRACKET ASSY
436A	QAR0138-001	LOADING MOTOR
436B	LY41940-001A	TAPPING SCREW,X2
437	YQ43893	MINI SCREW,X3
438	LY20528-001H	GUIDE RAIL ASSY
439	YQ43893	MINI SCREW
440	YQ44246	SLIT WASHER,X2
441	LY31498-002B	SLIDE LEVER2 ASSY
442	LY41965-001A	LOADING PLATE ASSY
443	YQ44246	SLIT WASHER
444	LY31522-001A	EJECT LEVER
445	YQ44246	SLIT WASHER
446	LY41929-001A	BASE R ASSY
447	YQ43893	MINI SCREW
448	LY41945-001A	MINI SCREW
449	LY41930-001A	MODE GEAR
450	QSW0876-002	ROTARY ENCODER
451	YQ43893	MINI SCREW,X2
452	LY31524-001A	GEAR COVER ASSY
453	YQ43893	MINI SCREW,X2
454	YQ43893-4	MINI SCREW
455	LY41948-001B	MAIN CAM ASSY
456	LY41941-001A	SLIDE ARM ASSY
457	LY41951-001A	CONNECT GEAR 2

△ REF No. PART No. PART NAME, DESCRIPTION

458	LY41954-001A	SUB CAM ASSY
459	LY42120-001A	MINI SCREW
460	LY41952-001A	CNTLROL ARM ASSY
461	LY31523-001A	REEL GEAR 1
462	LY31508-001B	DRUM BASE ASSY
463	QYSPSPU1425M	SCREW,X3
464	QAR0142-001	CAPSTAN MOTOR
465	YQ43893	MINI SCREW
466	LY10210-001C	MAIN DECK ASSY
467	YQ44246	SLIT WASHER